

TS0/500GSJ35U(-EU)

StoreJet™ 35 Ultra

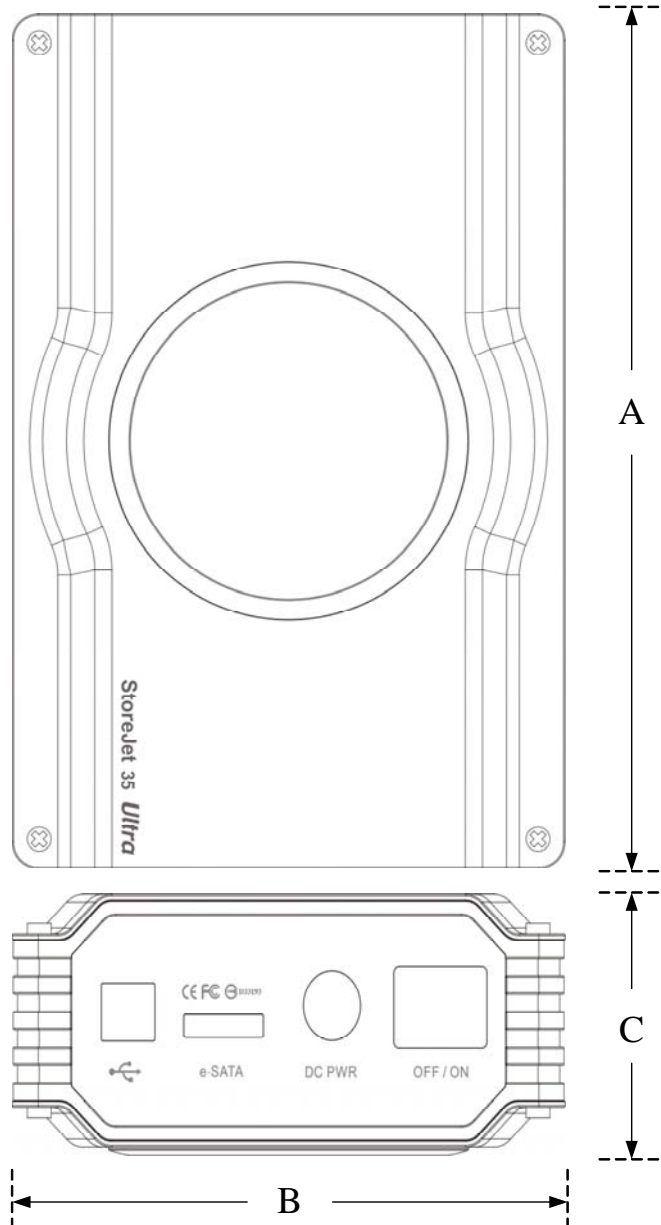
Description

Transcend's **StoreJet™ 35 Ultra**. This advanced, eSATA / USB 2.0 external storage device is the perfect way to add an extra hard drive to your computer for downloading, storing, transferring and backing up your data. With both eSATA and USB 2.0 connection options, the StoreJet 35 Ultra gives you the ultimate in flexibility. The USB interface provides maximum compatibility with all types of notebooks and PCs, while the new high-speed eSATA interface gives you the maximum performance possible from your drive with transfer speeds up to 3.0Gbps. The StoreJet 35 Ultra also has silent 80mm fan that keeps your drive running cool. This device is designed to expedite exchanging huge amounts of data between Transcend StoreJet™ and any desktop or notebook computer.

Features

- Works with all 3.5" SATA hard drives
- Two connection options: eSATA or USB2.0
- eSATA for maximum performance up to 3.0Gb/s
- USB2.0 interface assures universal compatibility
- Silent 80mm cooling fan reduces risk of HDD failure
- External power adapter and eSATA cable included
- Includes StoreJet™ *elite* backup software
- Hot-swappable / Plug and Play
- Stylish aluminum housing
- Anti-slip vertical stand
- LED indicator light

Placement



Dimensions

Side	Millimeters	Inches
A	197.50 ± 0.20	7.776 ± 0.008
B	127.50 ± 0.20	5.020 ± 0.008
C	48.00 ± 0.20	1.890 ± 0.008

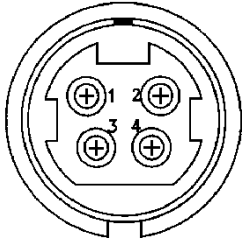
TS0/500GSJ35U(-EU)

StoreJet™ 35 Ultra

System Requirements

- Desktop computer with a working eSATA or USB port.
- One of the following operating systems:
 - Windows® 2000 / XP /Vista
 - Mac® OS 9.0, or later (USB only)
 - Mac® OS 10.4, or later (eSATA)
 - Linux® Kernel 2.4, or later (USB only)

DC Jack Pinouts

Pin No.	Function	
01	+12V	
02	+5V	
03	GND	
04	GND	

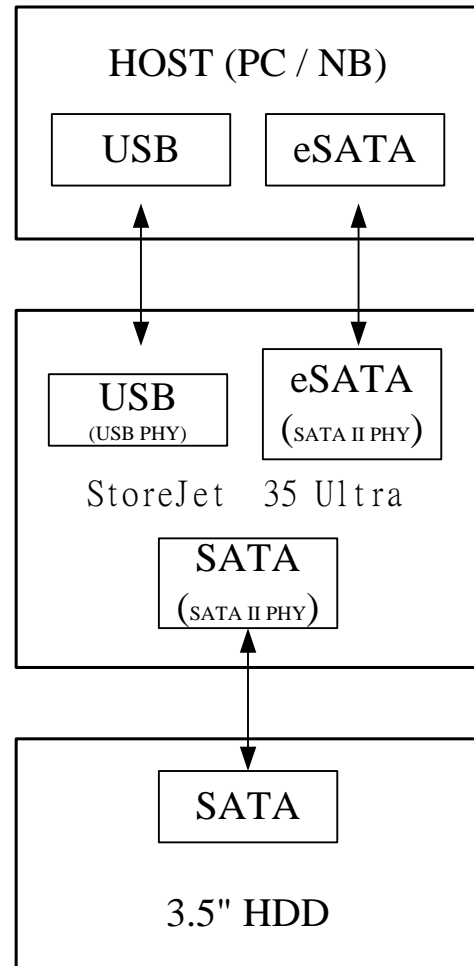
Pinouts (USB)

Pin No.	Pin Name
01	VCC
02	USB-
03	USB+
04	VSS

Pin Identification (USB)

Symbol	Function
USB-	USB differential signal
USB+	The pairs are used to transmit Data/Address/Command
VCC	USB Cable Power Detector
VSS	Ground

Block Diagram



Ordering Information

Device Description	Capacity	Transcend P/N
StoreJet 35 Ultra	0GB	TS0GSJ35U
StoreJet 35 Ultra	0GB	TS0GSJ35U-EU
StoreJet 35 Ultra	500GB	TS500GSJ35U
StoreJet 35 Ultra	500GB	TS500GSJ35U-EU

TS0/500GSJ35U(-EU)

StoreJet™ 35 Ultra

Specifications

Environment		
Storage Media		3.5 inch SATA Hard Disk
Temperature	Operating	5 °C to 55 °C
	Storage	-40 °C to 70 °C
Max. Transfer Speed	eSATA	3.0Gbits per second
	USB 2.0	480Mbits per second
Power Supply	Switching Power Adapter	AC input: 100V-240V DC output: 12V/5V 2A
Size (L x W x H)		197.50mm x 127.50mm x 48.00mm
Weight	Without Hard Drive	340g
	With Hard Drive	1000g
Certificates		CE, FCC, BSMI

Above technical information is based on industry standard data and tested to be reliable. However, Transcend makes no warranty, either expressed or implied, as to its accuracy and assumes no liability in connection with the use of this product. Transcend reserves the right to make changes in specifications at any time without prior notice.